

PM12 & PM12A

12-inch 2-Way Main / Monitor

Features

- ◆ Compact light weight design
- ◆ Heavy-Duty 12" Woofer
- ◆ Titanium 1-inch exit (1.5" VC) HF driver
- ◆ Rear 30° angled design for floor monitoring
- ◆ Water Resistant Polypropylene Enclosure

Application

The **PM12** is designed to stand alone as a full range sound reinforcement loudspeaker, to lay down for a full range monitor, or to couple with our LSx1801 for a three way extended low-end system. Designed for both permanent and portable applications, it comes with 4 fly points, rubber footpads, and a 1-3/8-inch pole mount cup.

Applications include:

- ◆ Club System
- ◆ House of Worship
- ◆ Auditoriums
- ◆ Band PA
- ◆ Satellite system



Description

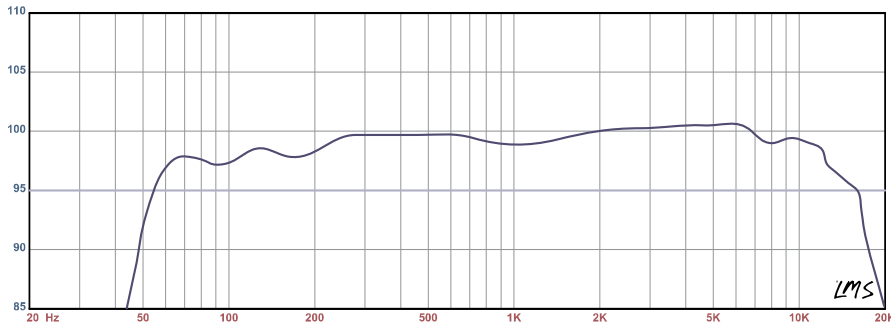
The **PM12** incorporates premium components housed in a rugged water resistant enclosure, designed for crystal clear sound in small to medium size venues. The high power drivers feature large magnet structures for high efficiency producing more output per watt. The enclosure is made of molded virgin polypropylene that won't chip or crack. The woofer is protected by a heavy gauge steel powder coated grill. Carvin's HF driver protection uses a self leveling PTC thermistor circuit to protect the HF driver from excessive power. The circuit resets as soon as the high frequency content is back to normal levels. Two combination Speakon - 1/4" input jacks allow for versatile connections and chaining of speakers. Rubber foot pads on the bottom interlock with receptacles on the top for stacking two **PM12**'s. The bottom pole mount cup offers universal mounting to pole stands or **SS10** wall mounts. For installations, 4 fly points allow the **PM12** to be hung or use the optional **LMUB** brackets.

Specifications PM12

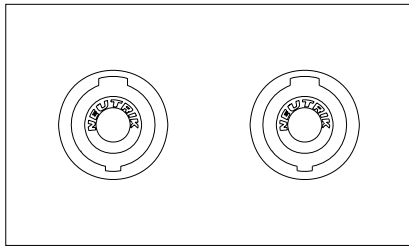
System Type:	12-inch 2-Way, bass-reflex
Frequency Response:	50 Hz – 18 kHz (-10DB) 60 Hz – 17 kHz (-3 dB)
Coverage Pattern:	90°H x 30°V(up) x 45°V(down)
Crossover:	2-Way with HF protection
Crossover Frequency:	2.5 kHz
Power:	Continuous / Program / Peak
Full Range	300w /600w /1200w
Recommended Amplifier Power:	300 – 600w
Sensitivity (1w @ 1m):	98dB
Maximum SPL:	122dB / 128dB peak
LF Driver:	12-inch Woofer
HF Driver:	1-inch exit 1.5-inch VC Titanium Driver
Nominal Impedance full range:	8 ohms
Enclosure:	Virgin Polypropylene
Suspension/Mounting:	1-3/8-inch pole mount cup 4 Fly Points
Transport:	2 Handles
Grill:	Black steel
Connectors:	Two Neutrik Combo 1/4-inch / Speakon's
Dimensions (H x W x D):	585 mm x 395 mm x 300 mm 24.375 in x 16 in x 13.125 in
Net Wt:	12.7 kg (28 lb)
Optional Accessories:	CVL12 cover SS20 adjustable floor stand SS10 wall mount bracket LS1801 sub with SS4 adj. pole SS5 dual pole mount LMUB suspension "U" bracket

CARVIN

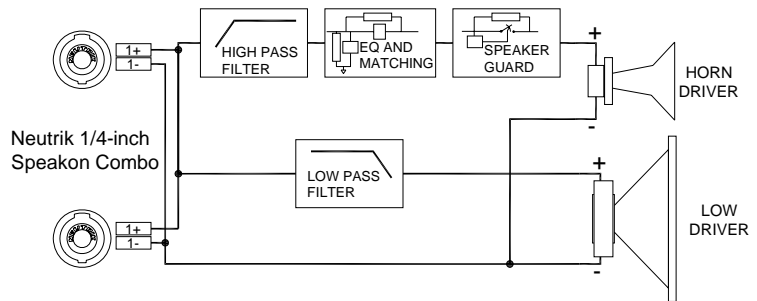
Frequency Response



PM12 Rear Plate



Passive Block Diagram in Full Range Mode



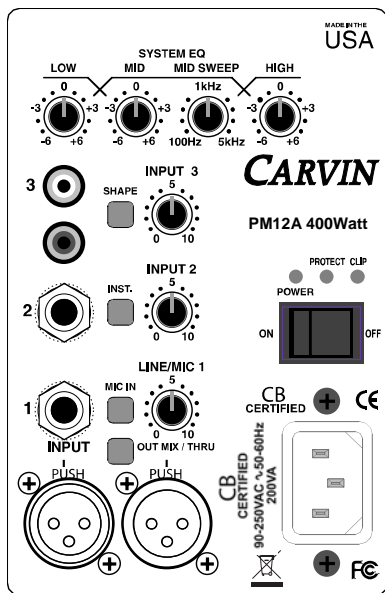
Active PM12A Description

The **PM12A** incorporates powerful Class-D amplifier technology powered by an efficient switch-mode power supply. The PM12A model also features a 3-Band EQ with Mid-sweep for final room adjustments, 3 channels with individual level controls, internal active multi-band limiters for LF and HF driver protection, and an 18db/octave low cut filter for a smooth low-end optimized to the enclosure. The input XLR can take in line levels or be switched to mic levels for direct microphone input. The output XLR parallel the input XLR for daisy chaining or it can output the mix of all three channels.

Specifications PM12A

System Type:	Internal Active system
Speaker Protection:	Active HF & LF Limiter
Crossover Frequency:	2.5 kHz
Maximum SPL:	124dB peak
Internal Amplifier full range:	400Watts
Connectors:	Two XLR's one Male, one Female
	Two 1/4 TRS phone jacks
	Two RCA jacks
AC Power Requirement:	90-250VAC 50-60Hz
Net Wt:	13 kg (29 lb)

PM12A Rear Plate



Suspension with LMUB Bracket

